

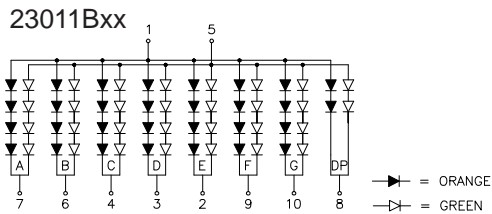
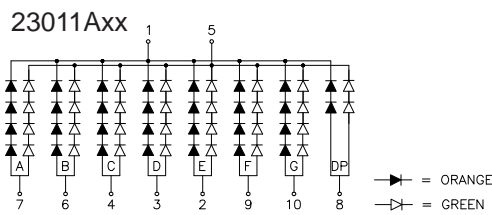
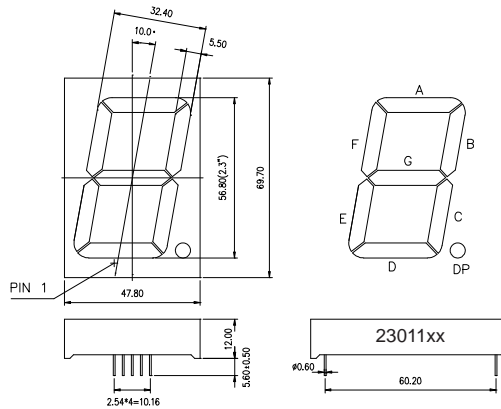
## DESCRIPTION

- 56.80mm (2.3") Single Digit Numeric Display Series
- Standard Brightness
- Low Current Operation
- Excellent Character Appearance
- Easy Mounting on PC Boards or Sockets



## Package Dimensions & Internal Circuit Diagram

### 23011 Series



**Notes:**

- All dimensions are in millimeters (inches)
- Tolerance is  $\pm 0.25$  (0.01") unless otherwise noted.
- Specifications are subject to change without prior notice.

### Absolute Maximum Ratings ( Ta = 25°C )

Parameter	Symbol	Test Condition	Value		Unit
			Min	Max	
Reverse Voltage	$V_R$	IR= 30 $\mu$ A	5	-----	V
Forward Current	$I_f$	-----	-----	20	mA
Power Dissipation	$P_d$	-----	-----	100	mW
Pulse Current	$I_{peak}$	Duty = 0.1ms, 1KHz	-----	150	mA
Operating Temperature	$T_{opr}$	-----	- 40	+85	°C
Storage Temperature	$T_{str}$	-----	- 40	+85	°C

XX :Surface / Epoxy Color :

<b>Surface Color</b>	White	Black	Gray	Red		
Number	0	1	2	3	4	5
<b>Epoxy Color</b>	White Diffused	Red Diffused	Green Diffused	Yellow Diffused	Blue Diffused	Water Clear
Number	0	1	2	3	4	5